



- ◆ Description: 10/100 Base-T SINGLE PORT SURFACE MAGNETIS
- ◆ Operating Temperature range:-40°C to 85°C
- ◆ Content:
 - 1.Product Features
 - 2.Product Electrical Specifications
 - 3.Product Schematics
 - 4.Product Mechanicals Dimensions

1. FEATURES:

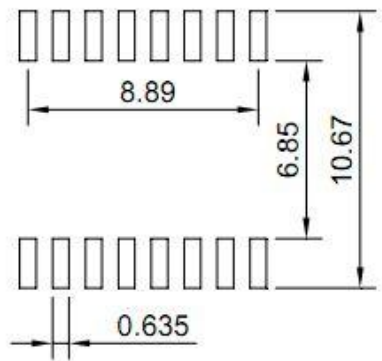
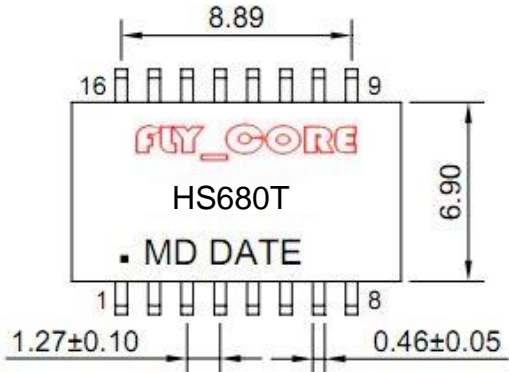
- 1.1 Compatible with various 10/100 Base-TX transceiver requiring 1:1 transmit and receive turns ratio
- 1.2 Compliant with IEEE 802.3 standard including baseline wander compensation specification of 350uH OCL when Biased at 8mA from -40°C+85°C
- 1.3 Low profile Surface Mount Packaging designed for Hi-Temp Reflow Process (245°C peak)
- 1.4 Single channel interface for 10/100Mbps Ethernet applications with CMC's tuned to Enhance EMC system performance
- 1.5 Operating Temperature range:-40°C to 85°C



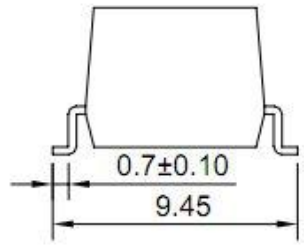
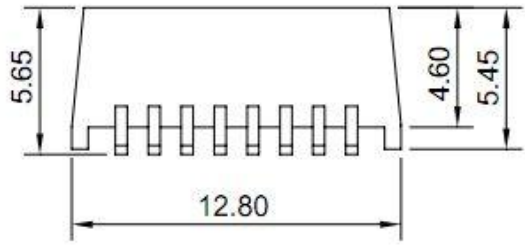
2. ELECTRICAL SPECIFICATIONS @25°C

- 2.1 Turns Ratio(±2%): 1CT:1CT
- 2.2 OCL :350 uH Min. @ 100 KHz, 100mV with 8mA DC Bias
- 2.3 CWW(100KHz/0.1V) :25pF MAX
- 2.4 Insertion Loss: -1.1 dB Max. @ 300KHZ-100MHZ
- 2.5 Return Loss: -20dB Typical @30MHZ
-14dB Typical @60MHZ
-11.5dB Typical @80MHZ
- 2.6 HI-POT: 1500Vrms 1mA 1Second
- 2.7 Operating Temperature: -40°C- +85°C
- 2.8 RoHs compliance: YES
- 2.9 Different TO Common Mode Rejection: -37dB Typical @30MHZ-50mhz
-30DB typical @100MHZ
- 2.10 Corsstalk: -45DB Typical @1MHZ-30MHZ
-35DB Typical @60MHZ-100MHZ

3. SCHEMATICS:



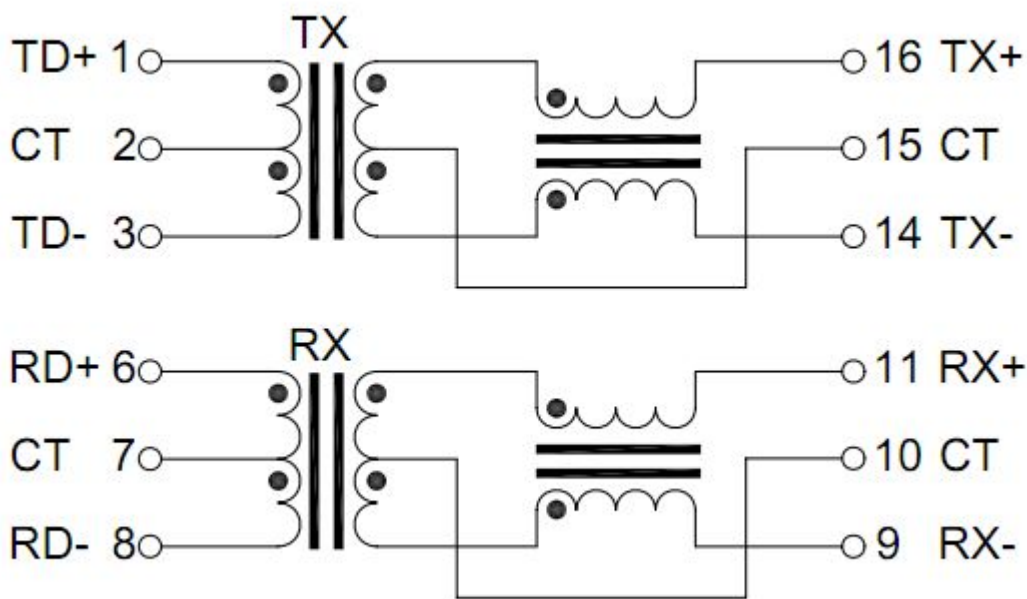
SUGGESTED PAD LAYOUT



UNIT:mm Unless otherwise specified,all tolerances are ±0.25



4. Product Mechanical Dimensions



成都浩然电子有限公司

电话：028-86127089 0755-86066647

技术：support@hschip.com

网址：<http://www.hschip.com>



微信公众号



手机淘宝商城